

The following features are available in this PDF document.



### **Quick Keyword Search**

Enter the keyword in the search box and hit the search button



### **Quick Jump between Chapters**

Click the title of a specific chapter on the Contents to jump to it

\*Reading software such as Adobe Reader is needed to support the functions above.



# ZHIYUN MOLUS X100

User Guide

# Contents

□ Brief Introduction	
Brief Introduction	1
□ Product List	
Product List	3
□ Get to Know ZHIYUN MOLUS X100	
Get to Know ZHIYUN MOLUS X100	5
□ Power Supply	
Power Supply	7
□ Installing and Removing ZHIYUN Mini Reflector (hereinafter referred to as "reflector")	
Installing the Reflector	9
Removing the Reflector	9
□ Installing the Tripod	
Installing the Tripod	10
□ Installing and Removing ZHIYUN Mini Softbox (hereinafter referred to as "softbox")	
Installing the Softbox	11
Removing the Softbox	12
□ Installing and Removing ZHIYUN Dome Diffusion (hereinafter referred to as "dome diffusion")	
Installing Dome Diffusion	13
Removing Dome Diffusion	13

<input type="checkbox"/> BOWENS Mount Adapter(ZY Mount)-B Instructions (hereinafter referred to as "adapter")	
Installing the Adapter . . . . .	14
Removing the Adapter . . . . .	16
Installing and Removing The Umbrella . . . . .	17
<input type="checkbox"/> Installing and Removing ZHIYUN Extension Plate (hereinafter referred to as "extension plate")	
<input type="checkbox"/> How to Use ZHIYUN MOLUS X100	
Buttons and Knobs . . . . .	21
Display Screen . . . . .	22
Operation Instruction . . . . .	22
Power-on Setting . . . . .	23
<input type="checkbox"/> Firmware Upgrade	
<input type="checkbox"/> Product Specifications	
<input type="checkbox"/> Warranty Card	
Warranty Period . . . . .	28
Warranty Exclusions . . . . .	28
Warranty Claim Procedure . . . . .	28
<input type="checkbox"/> Contact Card	

### Brief Introduction

ZHIYUN MOLUS X100 is a high-power pocket fill light with high illuminance that supports adjustments on brightness and color temperature. The pocket fill light can be powered via multiple ways and is available with various accessories for different lighting, satisfying the lighting needed for indoor or outdoor settings.

MOLUS X100 has the following features:

1. High power, portable with excellent performance.
2. Features Music mode where the light will change with music beats. Suitable for scenes with music.
3. Can be powered via three ways.
4. Available with various accessories for different lighting.

#### **⚠ WARNING**

- ⚠ This product is not waterproof. Prevent contact with any kind of liquid with the ZHIYUN MOLUS X100. Never use the product in the rain or a humid environment.
- ⚠ If water accidentally enters the device when using, please stop using it immediately and contact the company or authorized maintenance personnel for maintenance, and continue to use it only when the maintenance is finished.
- ⚠ Do not expose this product to corrosive chemicals, inflammable and explosive materials.
- ⚠ Please connect the device to a grounded outlet before using.
- ⚠ Do not touch the heating part when the product is working to avoid getting burned.
- ⚠ Do not wrap or block the fans to avoid cooling effect damage.
- ⚠ Do not turn the product directly to the eyes to avoid eyesight damage.
- ⚠ Do not expose this product to an environment above 40°C .

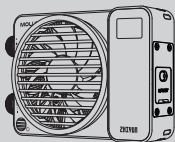
#### **BE CAREFUL**

1. This product is a high-precision control device. Damage may be caused to the product if dropped or subject to external force, and this may result in malfunction.
2. Please keep your hands dry while using the product and use soft dry cloth for cleaning.
3. Keep this product out of the reach of children.

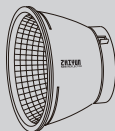
4. When not using this product, please disconnect the external power supply.
5. Do not place any other items on top of this product to avoid damage to this product.
6. Protect the product from dust and sand during use.
7. Before storing this product, please make sure it is completely cooled and store it in a dry and ventilated place.
8. Do not disassemble this product on your own. In the event of malfunctions, it should be repaired by ZHIYUN or authorized maintenance personnel.

## Product List

Before using this product, please check carefully that all the following items are included in the product package. In case that any item is found missing, please contact ZHIYUN or your local selling agent.



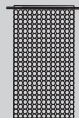
ZHIYUN MOLUS X100 x1



ZHIYUN Mini Reflector (ZY Mount) x1



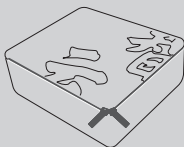
Power Adapter x1



Power Adapter Organizer Bag x1



X100 Grip Battery x1\*

Bowens Mount Adapter(ZY Mount)-B  
x1\*

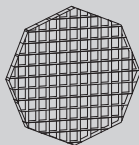
Storage Bag x1\*



Pocket Light Strap x1\*



ZHIYUN Mini Softbox (ZY Mount) x1\*\*

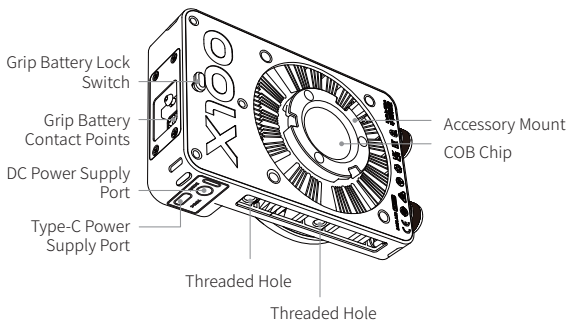
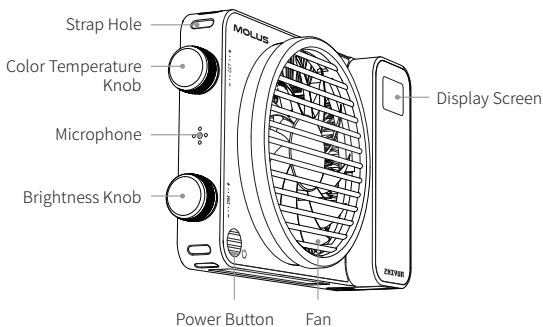


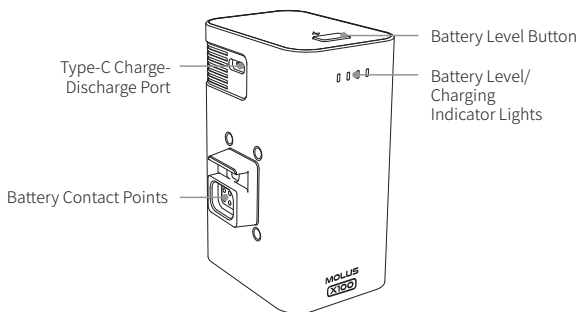
Grid x1\*\*

Items marked “\*” are only included in ZHIYUN MOLUS X100 Combo and Pro.  
Items marked “\*\*” are only included in ZHIYUN MOLUS X100 Pro.



## Get to Know ZHIYUN MOLUS X100

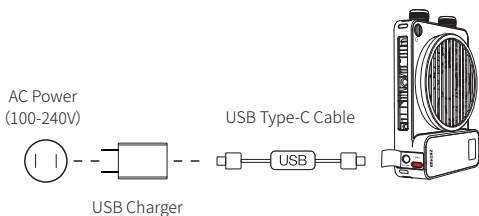




## Power Supply

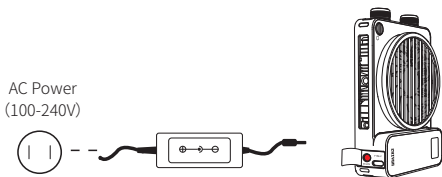
Battery is not included inside the device. For the ZHIYUN MOLUS X100 to work properly, please power the device using one of the following methods:


- Power via USB charger:** Use the USB Type-C charging cable to connect the USB charger and the type-C power supply/firmware upgrade port of ZHIYUN MOLUS X100. Plug the charger into the AC socket to power ZHIYUN MOLUS X100. It is recommended to use a charger equal to or larger than 100W and supports PD fast charging protocol. The supply power will be displayed on the screen in real-time. When the input supply power is insufficient, it is unable to adjust the brightness of ZHIYUN MOLUS X100 to 100%.



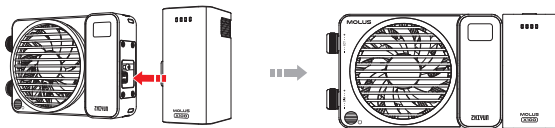
 USB charger and USB Type-C cable are not provided.

- Power via DC power adapter:** Connect the DC power adapter to the DC power supply port and an AC socket to power ZHIYUN MOLUS X100.



 You can use power adapter organizer bag to organize the DC power adapter and hang at the proper location to avoid being stepped on.

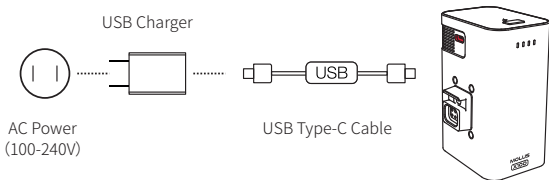
- ③ **Power via X100 grip battery:** Remove the silicone case at the X100 grip battery contact points, and install the X100 grip battery to the ZHIYUN MOLUS X100 as shown in the image to power ZHIYUN MOLUS X100.



- 💡 To remove the X100 grip battery, press and hold the grip battery lock switch and remove the grip battery from ZHIYUN MOLUS X100.



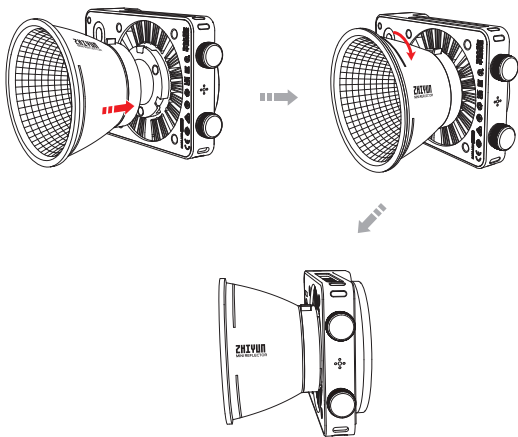
X100 grip battery charging method : Use the USB Type-C charging cable to connect the USB charger and the Type-C charge-discharge port of the grip battery. Plug the charger into the AC socket to charge the grip battery. It is recommended to use a charger that supports PD fast charging protocol.



- 💡 Four solid battery level/charging indicator lights indicate the battery is fully charged.

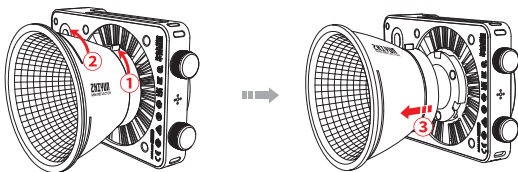
## Installing the Reflector

Align the reflector mount with the ZHIYUN MOLUS X100 accessory mount. Install the reflector to the ZHIYUN MOLUS X100 and rotate the reflector as shown in the image until you hear a click sound. The reflector is then installed.



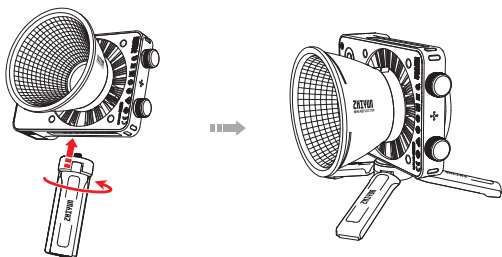
## Removing the Reflector

Toggle the lock to another side ① and turn the reflector as shown in the image ②. Remove the reflector from the accessory mount ③.



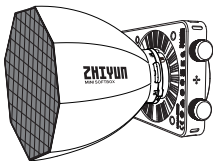
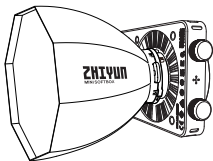
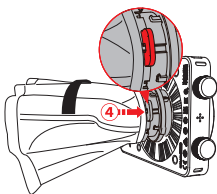
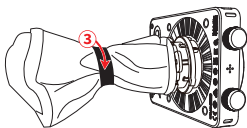
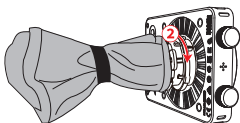
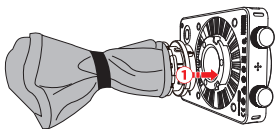
## Installing the Tripod

Align the 1/4" screw of the tripod with the 1/4" threaded hole at the bottom of the ZHIYUN MOLUS X100. Drive the screw firmly to finish the installation.



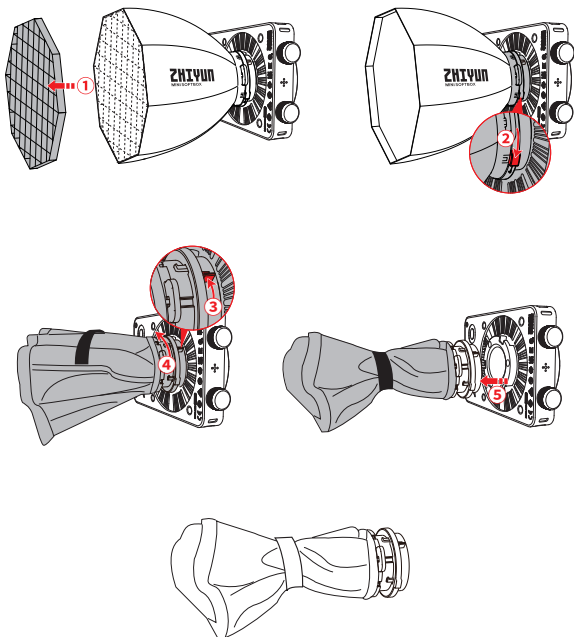
## Installing the Softbox

Align the softbox mount with the ZHIYUN MOLUS X100 accessory mount, install the softbox to the ZHIYUN MOLUS X100 ① and rotate the softbox as shown in the image until you hear a click sound ② . Loosen the softbox straps ③ , push the axis to the right as shown in the image until the softbox expands and clicks into the mount ④ . Expand the grid ⑤ and stick to the diffuser ⑥ .



## Removing the Softbox

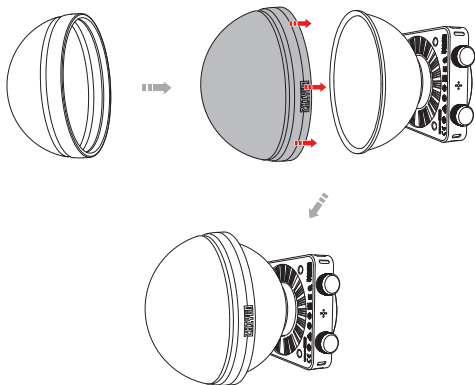
Remove the grid from the softbox ① and rotate the softbox mount swivel as shown in the image ② . Toggle the lock to another side ③ while rotating the softbox as shown in the image ④ . Remove the softbox from the ZHIYUN MOLUS X100 accessory mount ⑤ . Pack the softbox and tie the straps.





## Installing Dome Diffusion

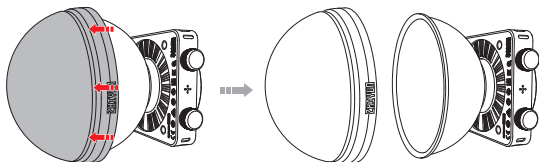
Install the reflector to ZHIYUN MOLUS X100. Expand the dome diffusion as shown in the image, and align the opening of the dome diffusion with the reflector. Engage the groove ring of the dome diffusion in the reflector.



- ① The dome diffusion is sold separately.
- ② ZHIYUN MOLUS X100 can only be used with this dome diffusion (150mm in diameter). The dome diffusion with a diameter of 100mm cannot be used with MOLUS X100.

## Removing Dome Diffusion

You can remove the dome diffusion from the reflector with your hand.

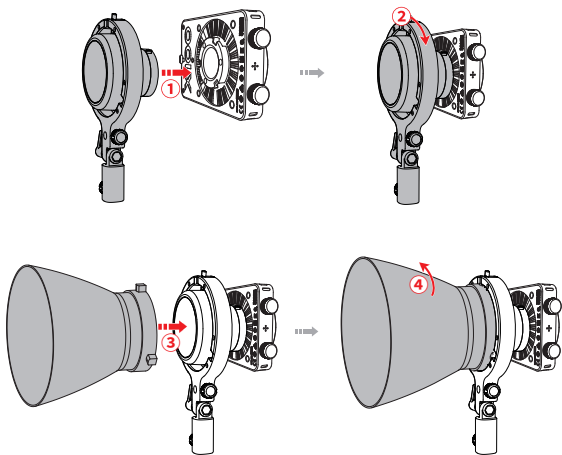


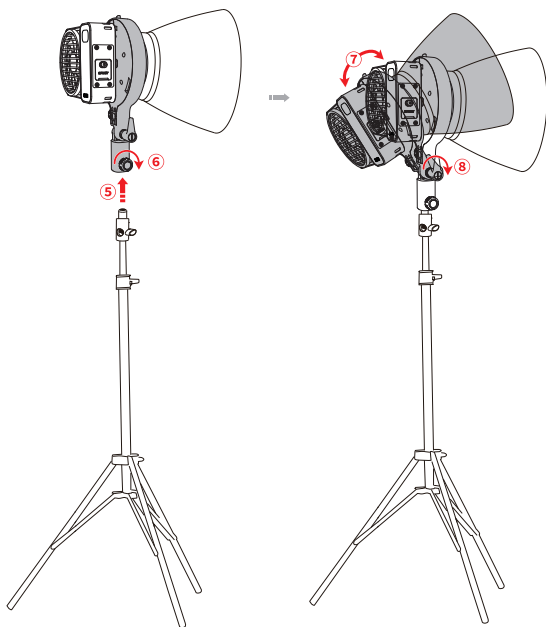
- ① Dome diffusion is sold separately.

With the mount adapter, ZHIYUN MOLUS X100 can be used with accessories with a standard Bowens mount. The following instructions use standard reflector with Bowens mount as an example.

## Installing the Adapter

Align the adapter mount with the ZHIYUN MOLUS X100 accessory mount, install the adapter to the ZHIYUN MOLUS X100 ① and rotate the adapter clockwise until you hear a click sound ② . Align the standard reflector mount with the adapter mount and install the standard reflector to the adapter ③ . Rotate the standard reflector counterclockwise until the reflector is engaged in the adapter and cannot be rotated ④ . Align the end of the adapter with the 1/4" screw on top of the light stand ⑤ , install the adapter to the light stand and tighten the adapter screw ⑥ . You can adjust the adapter angle if necessary ⑦ and tighten the adapter latch ⑧ .

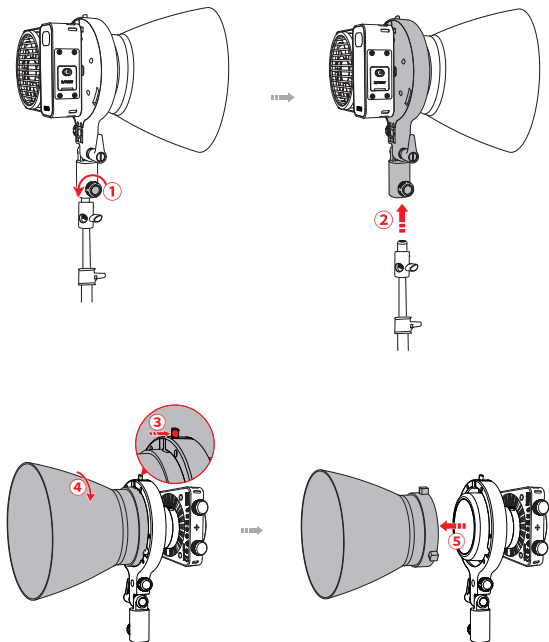


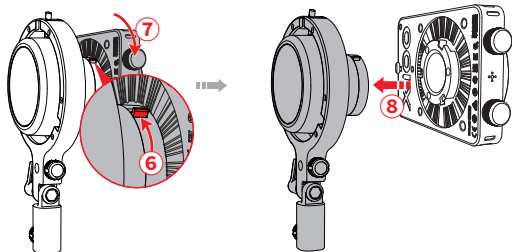


- ① Light stand is not provided.
- ② When attaching the adapter to a softbox with a Bowens mount, the diameter of the softbox should be equal to or less than 60cm and the weight should be equal to or less than 1.3kg.

## Removing the Adapter

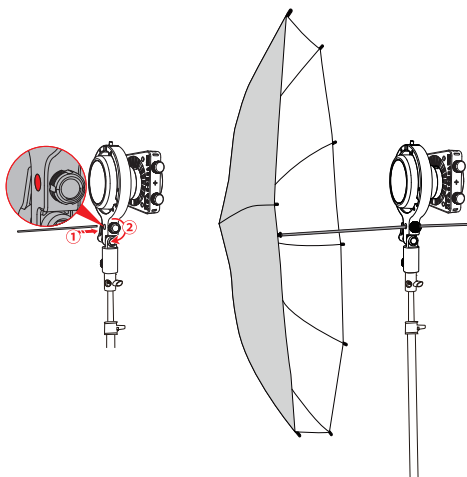
Loosen the adapter screw ① and remove the adapter from the light stand ② . Press and hold in toward the right of the orange lock at the top of the adapter ③ and rotate the standard reflector as shown in the image ④ . Remove the reflector from the adapter ⑤ . Press and hold the lock at the gap of the adapter as shown in the image ⑥ while rotating ZHIYUN MOLUS X100 clockwise ⑦ . Remove the adapter from ZHIYUN MOLUS X100 ⑧ .





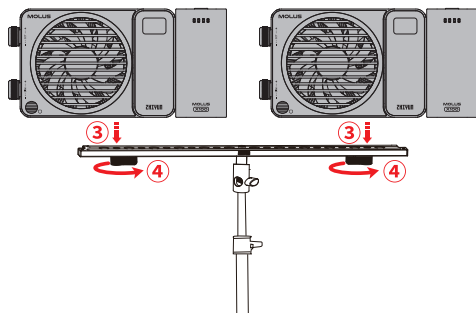
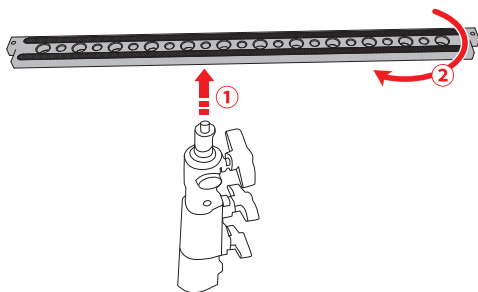
## Installing and Removing The Umbrella

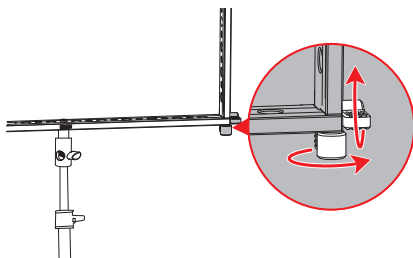
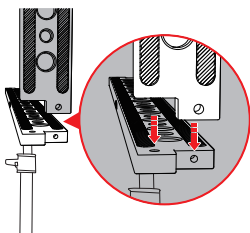
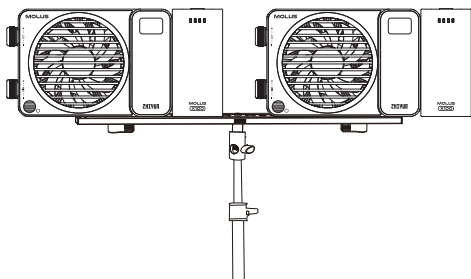
Insert the umbrella handle into the umbrella hole of the adapter and turn the knob clockwise. Turn counterclockwise to unlock and pull out the umbrella handle.

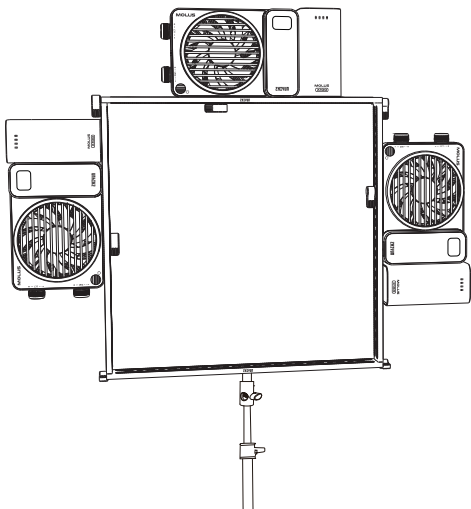


 Umbrella is sold separately.

Align the 1/4" threaded hole of the extension plate with the 1/4" screw of the light stand ① . Install and tighten the extension plate to the light stand ② . Align the 1/4" threaded hole of the ZHIYUN MOLUS X100 with the 1/4" threaded hole of the extension plate ③ . Fix the ZHIYUN MOLUS X100 on the extension plate with the screw ④ . You can connect multiple extension plates together, lining them up end to end, and install a ZHIYUN MOLUS X100 on each of the extension plates. After use, you can remove ZHIYUN MOLUS X100 from the extension plate and remove the extension plate from the light stand.







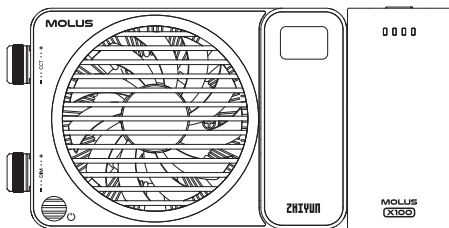
💡 ZHIYUN extension plate is sold separately.



💡 DO NOT stare at the chips when the device is operating.

💡 The IP rating of the outer case is IP20.

### Buttons and Knobs



#### **Power Button:**

Long press: Power on/off.

Triple press: Reset Bluetooth.

#### **Color Temperature Knob:**

Turn up: Increase color temperature value.

Turn down: Decrease color temperature value.

Single press: Quick setting of color temperature.

Long press: Enter/exit Music mode

#### **Brightness Knob:**

Turn up: Increase brightness value.  
Switch from Live mode to Normal mode (In the power-on setting interface).

Turn down: Decrease brightness value.

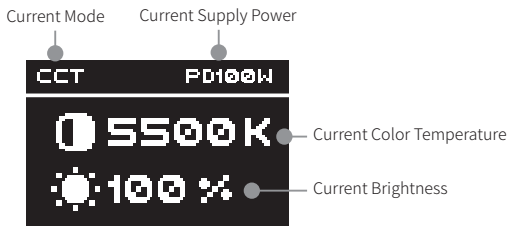
Switch from Normal mode to Live mode (In the power-on setting interface).

Single press: Quick setting of brightness.

Save setting and exit (In the power-on setting interface).

Long press: Enter/exit power-on setting interface.

## Display Screen



## Operation Instruction

### Brightness/Color Temperature Adjustment

Power on ZHIYUN MOLUS X100. Single press brightness/color temperature knob for quick adjustment of brightness/color temperature. Turn the brightness/color temperature knob clockwise/counterclockwise to fine-tune brightness/color temperature value.

### Music Mode

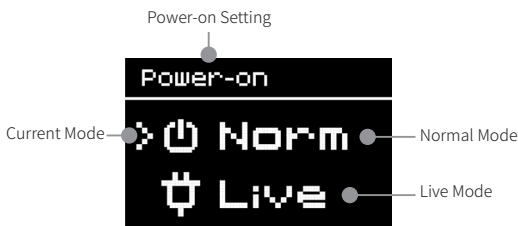
Power on ZHIYUN MOLUS X100. Long press the color temperature knob to enter Music mode. Adjust the color temperature and brightness to a proper value as necessary. The light will change with the music beats.

## Power-on Setting

**Normal mode:** Pressing and holding the power button is required to turn on the powered ZHIYUN MOLUS X100.

**Live mode:** The powered ZHIYUN MOLUS X100 can be turned on without pressing any buttons.

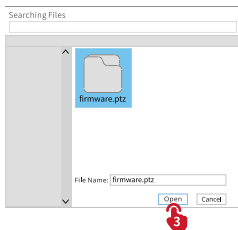
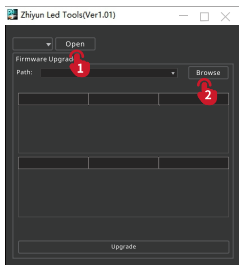
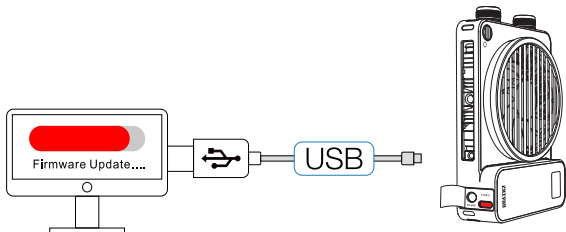
You can customize the way to turn on ZHIYUN MOLUS X100 at the power-on setting. The default mode is Normal mode. When entering the power-on setting interface, you can turn the brightness knob to select the mode and single-press the brightness knob to save and exit the setting.

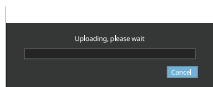
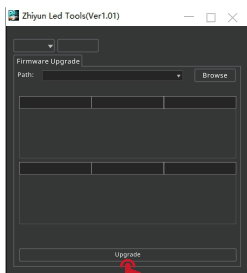


1. When ZHIYUN MOLUS X100 is charging via a USB charger, the Live mode will be disabled.
2. When the power-on mode of ZHIYUN MOLUS X100 is in Live mode, the way the user turns off the device may cause the power-on mode to change:
  - ① When simply unplugging the device to turn off, the power-on mode will stay the same as the Live mode.
  - ② When pressing and holding the power button to turn off, the power-on mode will be switched to Normal mode. To switch back to Live mode, please adjust in the power-on setting.

You can use "Zhiyun Led Tools" to perform ZHIYUN MOLUS X100 firmware upgrade. The steps are as follows:

1. Visit the official website of ZHIYUN ([www.zhiyun-tech.com](http://www.zhiyun-tech.com)), go to the ZHIYUN MOLUS X100 product page, click "Download", find the Zhiyun Led Tools and the firmware and download.
2. Unzip the firmware for the files with the ".ptz" file extension.
3. Connect the Type-C port of ZHIYUN MOLUS X100 to the USB port of the computer with the USB Type-C cable.
4. Open "Zhiyun Led Tools", click "Open", and click "Firmware Upgrade". Click "Browse" under "Path" to select the latest firmware downloaded (with the ".ptz" file extension), and click "Upgrade" at the bottom to upgrade firmware. ZHIYUN MOLUS X100 will automatically turn off when the upgrade is finished.





Product Model: PL105

<b>Maximum Output Power</b>	100W	
<b>Brightness Adjustment Range</b>	0-100%	
<b>Color Temperature Range</b>	2700K-6500K	
<b>CRI/TLCI</b>	CRI $\geq$ 95 TLCI $\geq$ 97	
<b>Illuminance (maximum power, without reflector)</b>	3881(lux)	Lab Data 1
<b>Illuminance (maximum power, with reflector)</b>	17317(lux)	Lab Data 2
<b>X100 Grip Battery Capacity</b>	2600mAh	
<b>X100 Grip Battery Runtime (maximum power)</b>	30min	Lab Data 3
<b>X100 Grip Battery Charging Time</b>	2H 33min	Lab Data 4
<b>X100 Grip Battery Type-C Port Max. Input/Output Power</b>	30W	
<b>Power Adapter Rated Output Voltage/Current</b>	24V/5A	
<b>Operation Temperature</b>	-10°C -40°C	
<b>Product Size (without reflector and battery)</b>	144.5*94*36.1mm	
<b>X100 Grip Battery Size</b>	52.8x94x61mm	
<b>Product Net Weight (without reflector and battery)</b>	385g	
<b>X100 Grip Battery Net Weight</b>	439g	

Lab Data 1: The data is collected in the following conditions: No reflectors, 25°C temperature, indoor illuminance lower than 0.1lux, test distance 1m, and the color temperature is set at 4300K with 100% brightness. The illuminance is 3881 lux. The actual illuminance varies under different conditions.

Lab Data 2: The data is collected in the following conditions: Installed reflector, 25°C temperature, indoor illuminance lower than 0.1lux, test distance 1m, and the color temperature is set at 4300K with 100% brightness. The illuminance is 17317 lux. The actual illuminance varies under different conditions.

Lab Data 3: The data is collected in the following conditions 25°C temperature, ZHIYUN MOLUS X100 is fully-charged, and the color temperature is set at 4000K with 100% brightness. The battery runtime is 30 min. The actual grip battery

runtime varies under different conditions: the longer the operating time, the higher the charge and discharge frequency, and the less the battery activity, leading to a shorter battery runtime.

Lab Data 4: The data is collected at a specified temperature of 25°C with 28W PD Fast Charging. The charging time is 2h 33 min. The actual charging time varies under different conditions: the lower the charging temperature, the lower the charging current, leading to a longer charging time.

### Warranty Period

1. Customers are entitled to replacement or free repair service in case of quality deficits found in the product within 15 days upon receipt of the product.
2. Customers are entitled to free repair service from ZHIYUN for any product proven defective in material or workmanship that results in product failure during normal consumer usage and conditions within the valid warranty period, which is 12 months counting from the date of selling. However, warranty period varies by product component and country of purchase. Please contact our after-sales service team on ZHIYUN official website or your place of purchase for detailed warranty information.

### Warranty Exclusions

1. Products subjected to unauthorized repair, misuse, collision, neglect, mishandling, soaking, accident, and unauthorized alteration.
2. Products subjected to improper use or whose labels or security tags have been torn off or altered.
3. Products whose warranty has expired.
4. Products damaged due to force majeure, such as fire, flood, lightning, etc.

### Warranty Claim Procedure

1. If failure or any problem occurs to your product after purchase, please contact a local agent for assistance, or you can always contact ZHIYUN's customer service through email at [info@zhiyun-tech.com](mailto:info@zhiyun-tech.com) or website at [www.zhiyun-tech.com](http://www.zhiyun-tech.com).
2. Your local agent or ZHIYUN's customer service will guide you through the whole service procedure regarding any product issue or problem you have encountered. ZHIYUN reserves the right to reexamine damaged or returned products.



**Customer Information**

Customer Name:

Phone Number:

Address:

**Sales Information**

Sales date:

Product Serial Number:

Distributor Name:

Distributor's Contact Number:

**First Maintenance Record**

Service Date:

Repairman Signature:

Cause of Problem:

Service Result:

Solved

Unsolved

Refunded/Replaced



Website



Weibo



Vimeo



Google+



Facebook  
(Zhiyun Support)



Facebook  
(Zhiyun Tech)



Youku



Youtube



Wechat



Instagram

Tel: +86 400 900 6868

USA Hotline: +1 808-319-6137,9:00-18:00 GMT-7,Mon-Fri

Europe Hotline: +49 (0) 61018132180,10:00-17:00 GMT+1,Mon-Fri

Web: [www.zhiyun-tech.com](http://www.zhiyun-tech.com)

E-mail: [info@zhiyun-tech.com](mailto:info@zhiyun-tech.com)

Address: 09 Huangtong Road, Tieshan Industrial Zone, Qixing District, Guilin, 541004, Guangxi, China

## Certificate of Quality

This product is confirmed to meet quality standards and permitted for sale after strict inspection.

QC Inspector: \_\_\_\_\_



For full product information, please visit ZHIYUN's official website: Content on [www.zhiyun-tech.com](http://www.zhiyun-tech.com) is subject to update without notice.

ZHIYUN™ is a trademark of ZHISHEN

All product names or brands referred to hereunder may be trademarks or registered trademarks of their respective holders.

Copyright © 2022 ZHISHEN. All rights reserved.

ZHIYUN-TECH.COM